

INSTALLATION INSTRUCTIONS

K1-4302

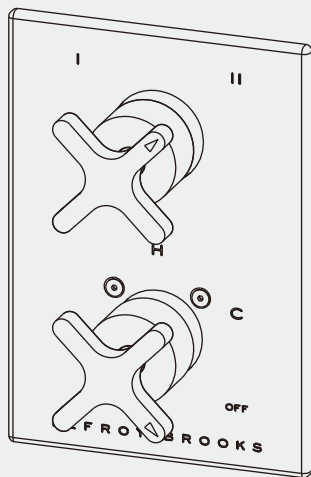
CROSS HANDLE PRESSURE BALANCE WITH CROSS HANDLE 2-WAY DIVERTER TRIM ONLY, TO SUIT K1-4101 ROUGH

K1-4303

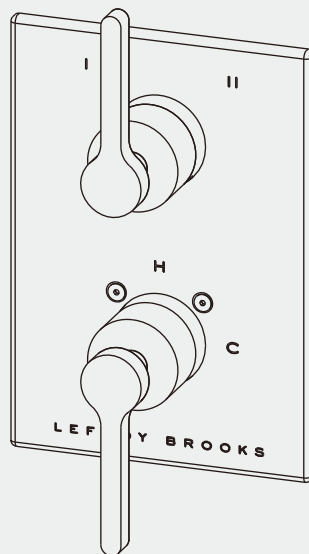
LEVER PRESSURE BALANCE WITH LEVER 2-WAY DIVERTER TRIM ONLY, TO SUIT K1-4101 ROUGH

K1-4306

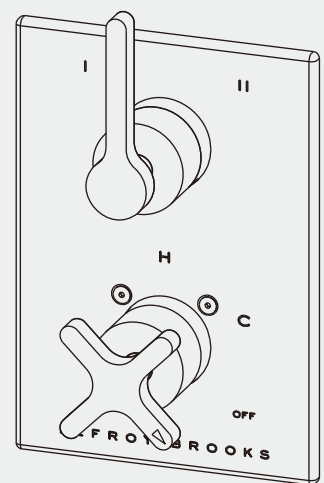
CROSS HANDLE PRESSURE BALANCE WITH LEVER 2-WAY DIVERTER TRIM ONLY, TO SUIT K1-4101 ROUGH



K1-4302



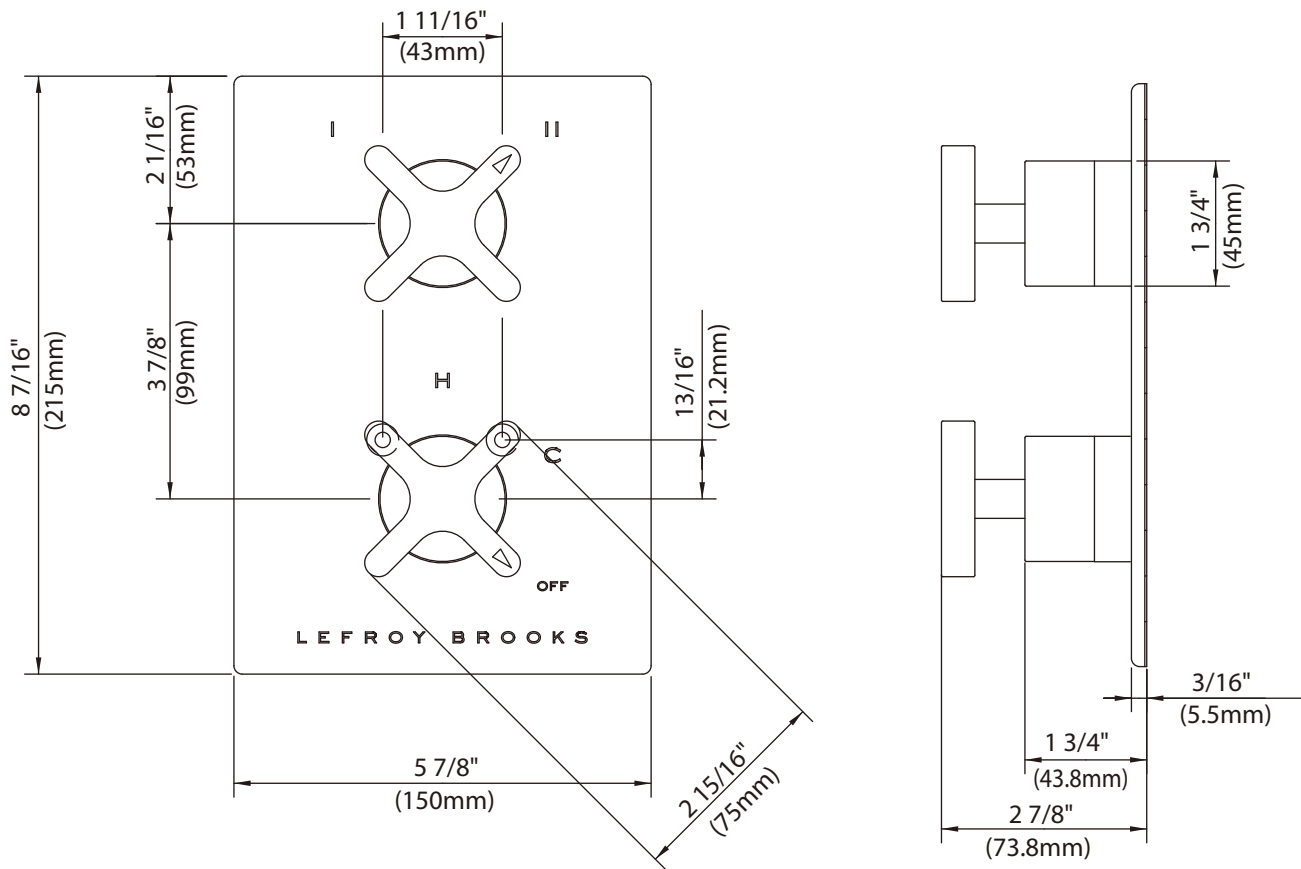
K1-4303



K1-4306

Dimensions in Inches (& Millimetres)

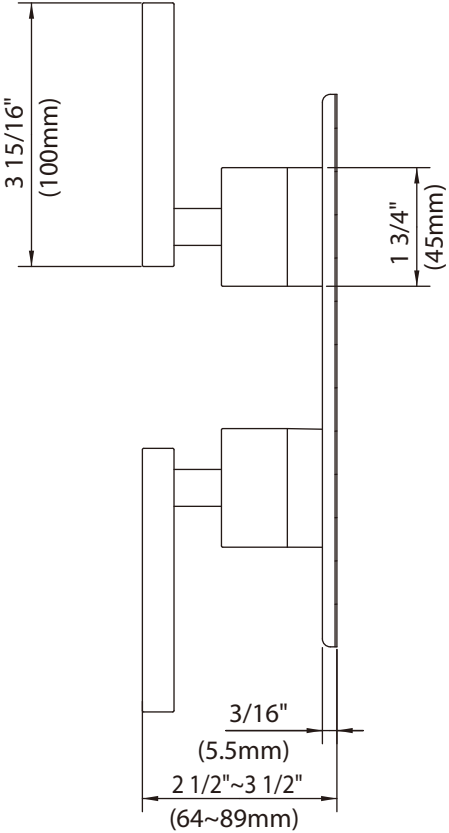
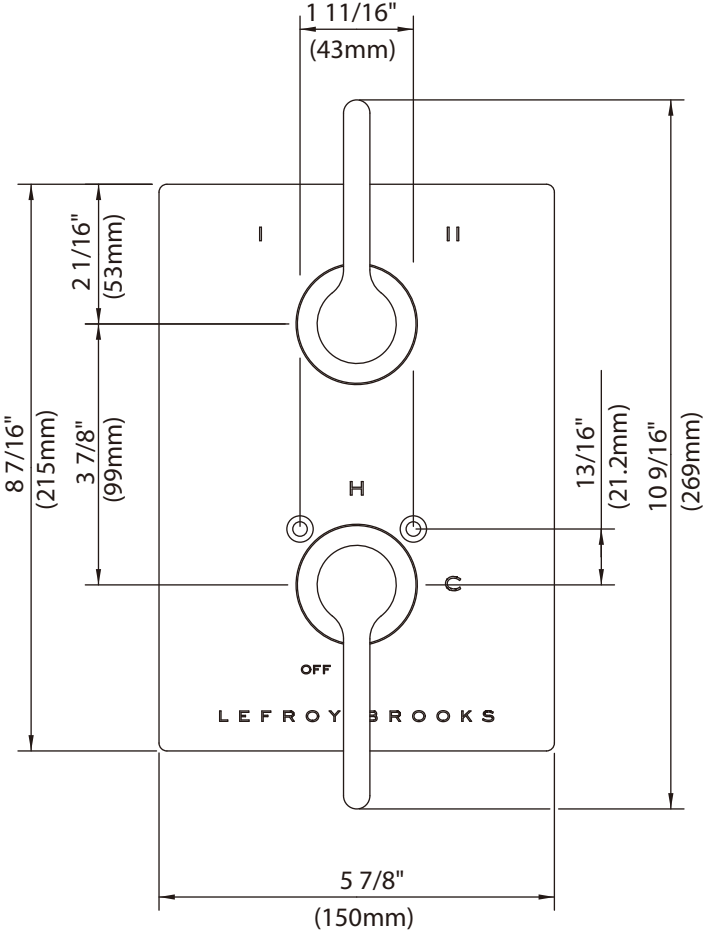
K1-4302



Whilst every effort is made to ensure accuracy, design and dimensions are subject to change without notice as part of the company's product development process.

Dimensions in Inches (& Millimetres)

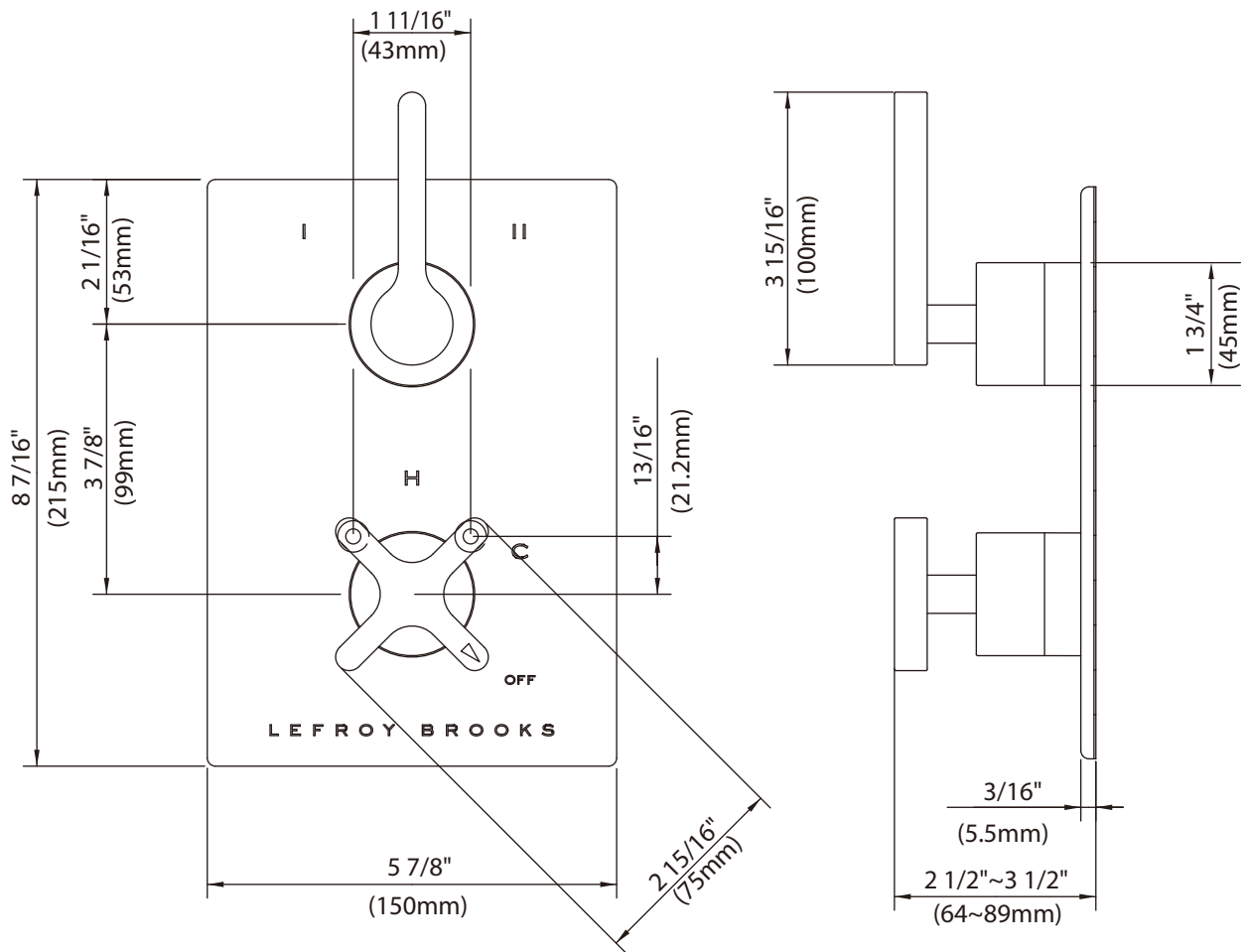
K1-4303



Whilst every effort is made to ensure accuracy, design and dimensions are subject to change without notice as part of the company's product development process.

Dimensions in Inches (& Millimetres)

K1-4306

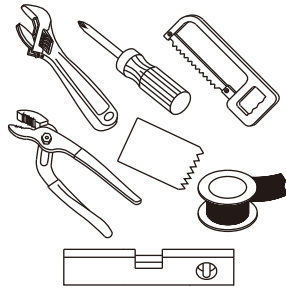


Whilst every effort is made to ensure accuracy, design and dimensions are subject to change without notice as part of the company's product development process.

What you need to know

Tools:

Adjustable Wrench
Groove Joint Pliers
Hacksaw
Phillips Screwdriver
Pipe Tape
Spatula
Spirit Level



Safety Tips

If you are soldering during faucet installation, remove cartridges, seats, gaskets and washers prior to applying flame, otherwise you will void the warranty.

Cover drain openings to avoid losing small parts.

When cutting or soldering pipe, use safety glasses to protect your eyes.

Things You May Need

Correct installation may vary depending on previous faucet installation. All necessary supplies required for faucet installation are not included, but may be found where plumbing supplies are sold. It is suggested that IAPMO and/or CSA approved plumbing supplies are used during installation.

Standards

IAPMO/cUPC Listed
Meets A112.18.1
ADA Compliant(K1-4303 only)

Maintenance

Your new bathroom faucet is designed for years of trouble-free performance.

Keep it looking new by cleaning it periodically with a soft cloth. Avoid abrasive cleaners, wire wool and harsh chemicals as these will dull the finish and void your warranty.

Important Points

Prior to beginning installation, turn off the cold and hot water lines and open the old faucet to release built-up pressure.

Overtightening nuts may cause damage.

Wrap all threaded connections with pipe tape available at your local plumbing supply store. Always wrap in a clockwise direction. The fittings should be installed by a state-licensed plumber.

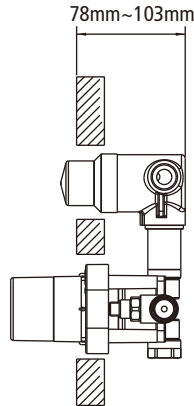
Please note:

When there is a difference in water pressure between hot and cold supplies to the mixing valve, the pressures should be equalized by a plumber in accordance with best practice and legislation.

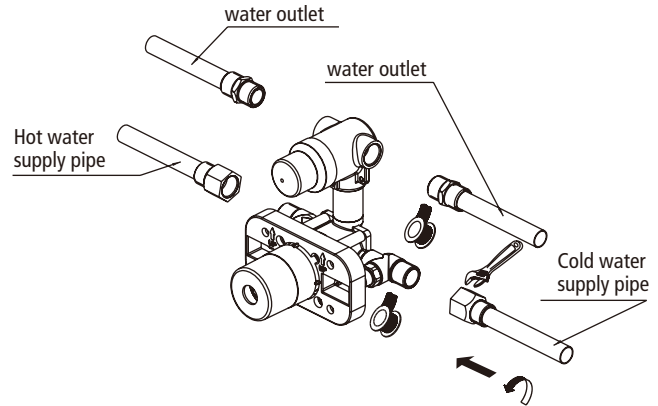
Steps 1-4

Installation Procedure

Lefroy Brooks always recommends that plumbing products be installed by a licensed professional. Shut off main water supply before installation.

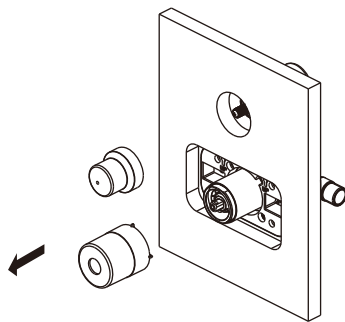


1

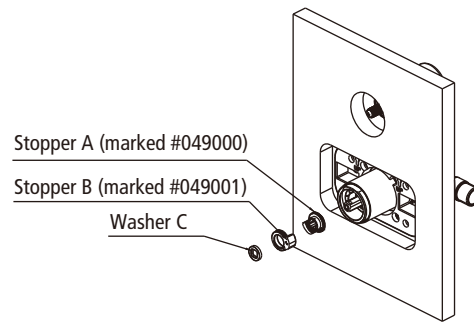


2

REMOVE CAP ONLY, KEEP THE REST OF THE MUD GUARD AS IT IS NEEDED TO HOLD THE TRIM FIXING SCREWS.



3



4

1 While placing the valve into wall, make sure that the distance between the wall surface and the back of the valve is between 75~103mm as the figure indicates.

2 Connect the valve with water pipes.

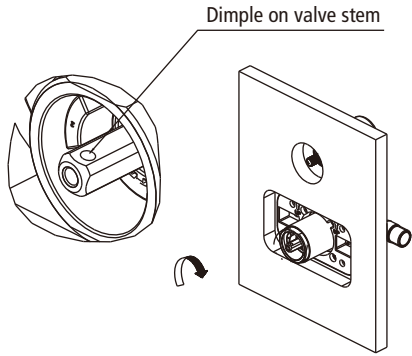
3 Throw away the protective cap only when the building construction is completed and you are ready to fit the trim kit in. **REMOVE CAP ONLY, KEEP THE REST OF THE MUD GUARD AS IT IS NEEDED TO HOLD THE TRIM FIXING SCREWS.**

4 Temperature Limiting Device: Remove washer C, then take off stopper A&B.

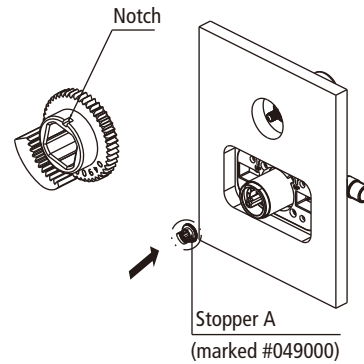
Steps 5-8

Installation Procedure

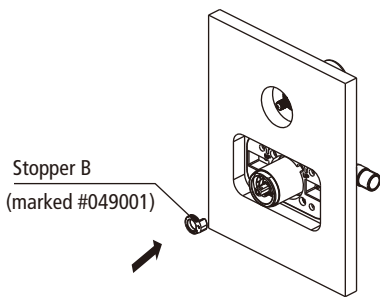
Lefroy Brooks always recommends that plumbing products be installed by a licensed professional. Shut off main water supply before installation.



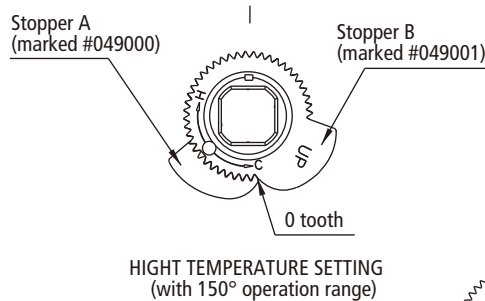
5



6

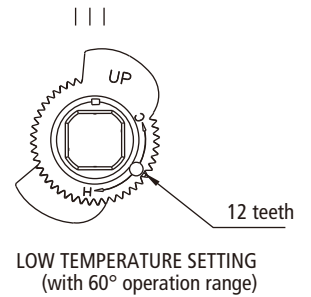


7



AVERAGE TEMPERATURE SETTING (with 90° operation range)

8



5 Turn the valve stem so that the round dimple on the stem is at the top side.

7 Install stopper B. The word "up" should face out.

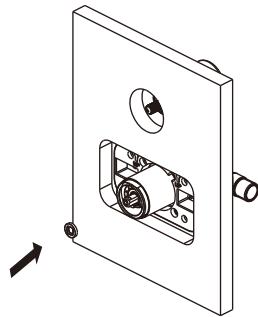
6 Install stopper A onto valve stem. Notch on stopper A should point upward.

8 Connect the valve with water pipes. Follow the instructions to adjust temperature limit stop. Temperature limiting device opened at eight notches is recommended.

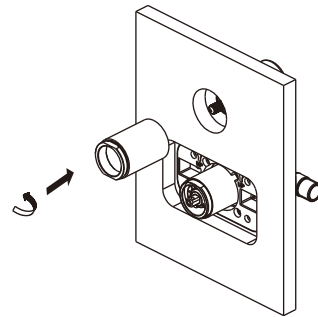
Steps 9-12

Installation Procedure

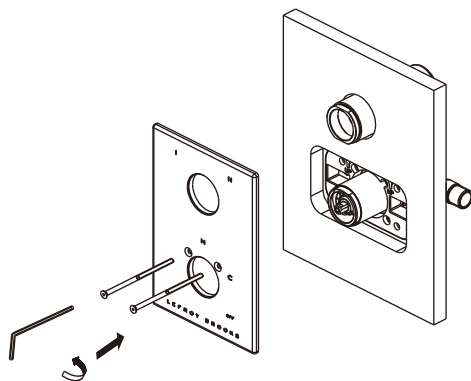
Lefroy Brooks always recommends that plumbing products be installed by a licensed professional. Shut off main water supply before installation.



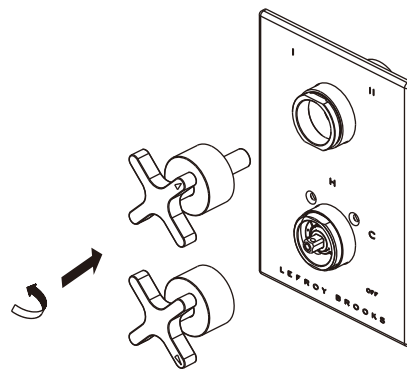
9



10



11



12

9 Install washer.

11 Fix the front plate with screw.

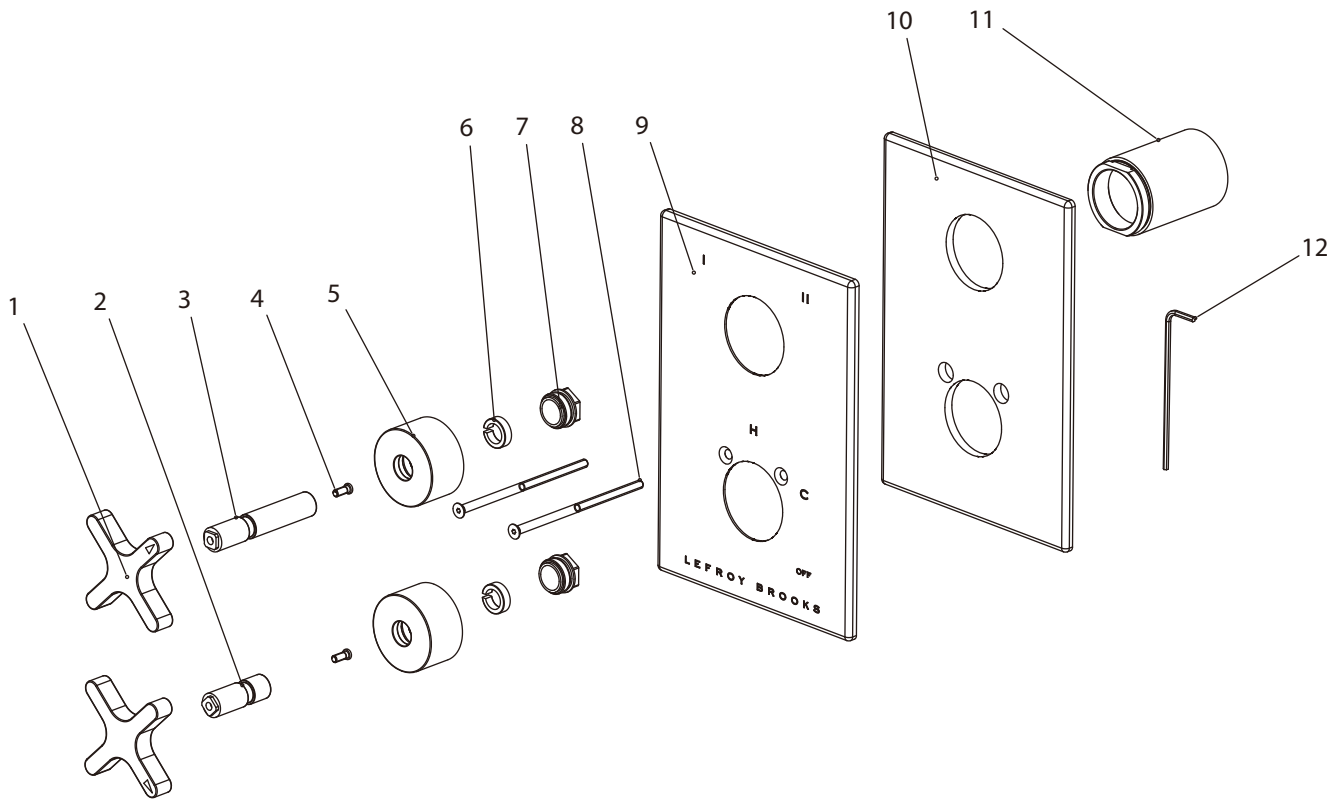
10 Install canopy.

12 Install handle.

Exploded View

Parts List

K1-4302

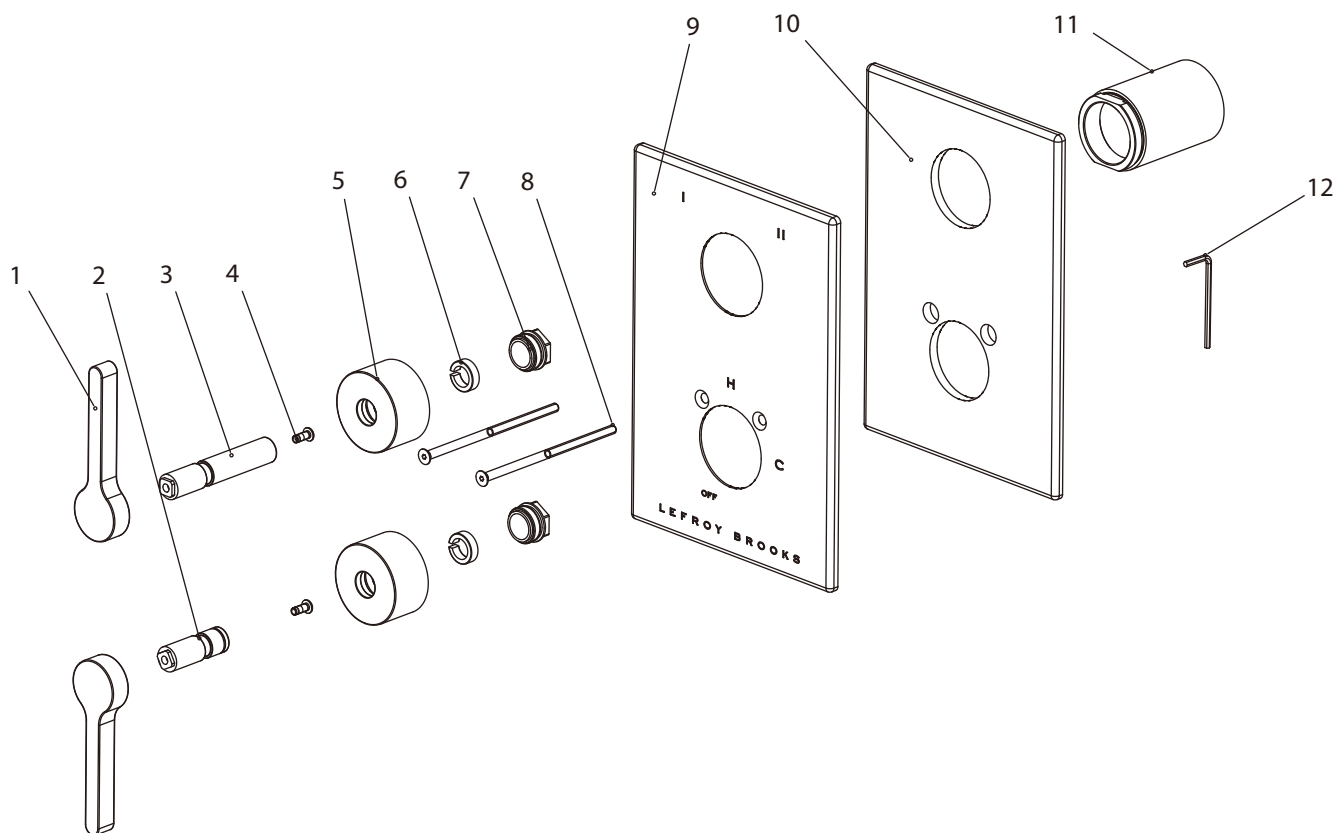


1	Handle (069688-50)	5	Canopy (018958)	9	Front plate (006507-50)
2	Stem extension (110384)	6	Clip (012242)	10	Seal (068329)
3	Stem extension (110385)	7	Adaptor (067897)	11	Sleeve (041724)
4	Screw (008774)	8	Screw (008034)	12	Allen key (031220)

Exploded View

Parts List

K1-4303



1 Handle (069699)
2 Stem extension (110407)
3 Stem extension (110385)
4 Screw (008154)

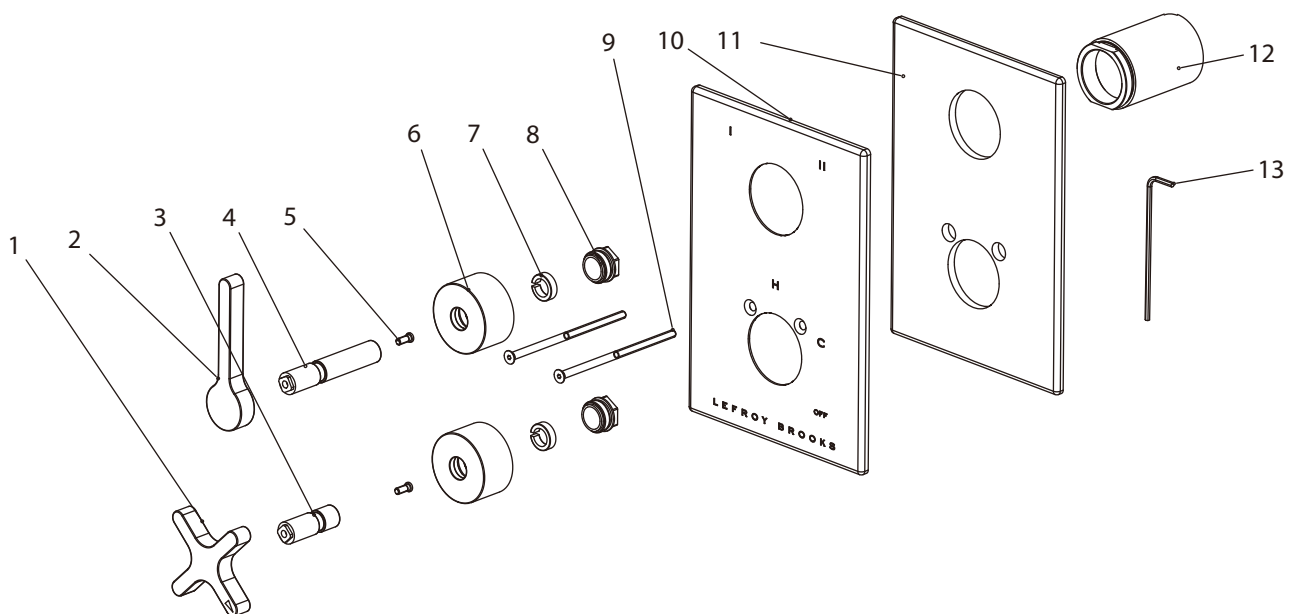
5 Canopy (018958)
6 Clip (012242)
7 Adaptor (067897)
8 Screw (008034)

9 Front plate (006507-51)
10 Seal (068329)
11 Sleeve (041724)
12 Allen key (031000)

Exploded View

Parts List

K1-4306



1 Handle (069688-50)
2 Handle (069699)
3 Stem extension (110384)
4 Stem extension (110385)
5 Screw (008774)

6 Canopy (018958)
7 Clip (012242)
8 Adaptor (067897)
9 Screw (008034)
10 Front plate (006507-50)

11 Seal (068329)
12 Sleeve (041724)
13 Allen key (031220)

For additional assistance or service call

718-302-5292

9am to 5pm EST Monday to Friday



LEFROY BROOKS

www.lefroybrooks.com

LEFROY BROOKS INC, 1828 TROUTMAN STREET, RIDGEWOOD, NY, 11385
TELEPHONE: 718-302-5292. FAX: 718-302-4177

The use of trademarks, product design and artwork is subject to licence or agreement with LBIP Ltd. The design registrations, trademark registrations and copyrights are protected by law and the use or reproduction outside the terms of an agreement is prohibited. The right to modify designs and dimensions is reserved. Christo Lefroy Brooks is a member of ACID (Anti Copying in Design).